

SD9K ASSEMBLY INSTRUCTIONS

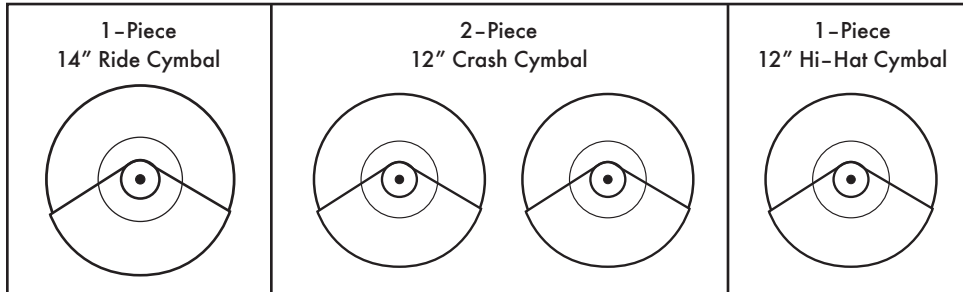
CAUTION!

While Simmons® makes every effort to provide the highest quality products, occasionally some metal shavings or burrs may remain as a by-product of the manufacturing process. To avoid injury, please be careful when adjusting clamps, or when working with pipe and screw ends.

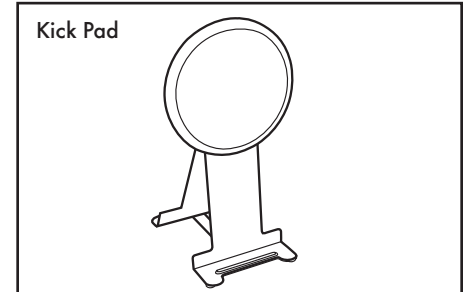
INSIDE THIS PACKAGE

Before assembly, please make sure that all the items listed below are present:

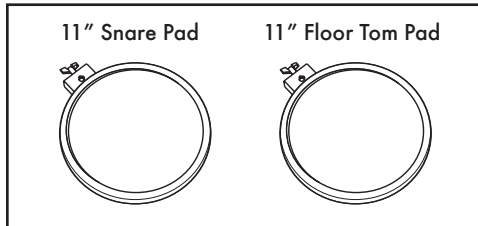
Cymbal (4 pieces)



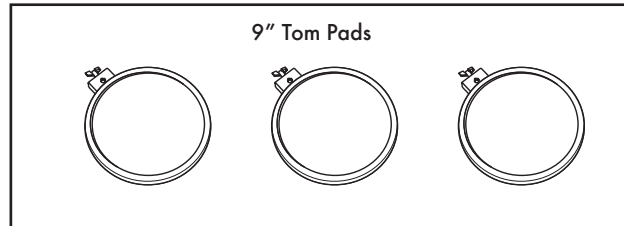
Kick Pad



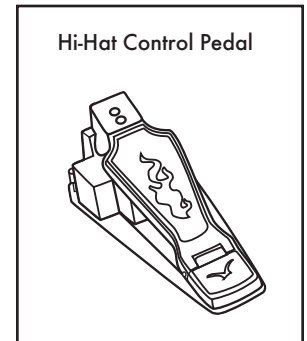
Drum Pads



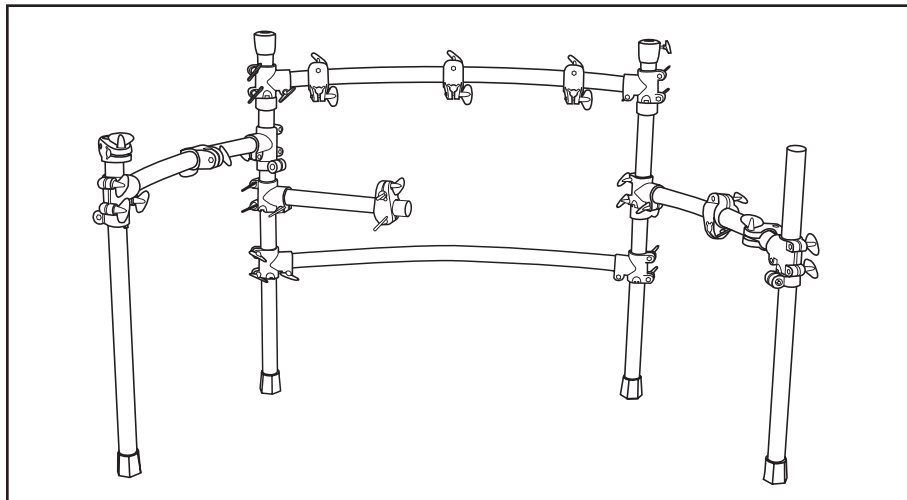
Drum Pads



Hi-Hat Pedal



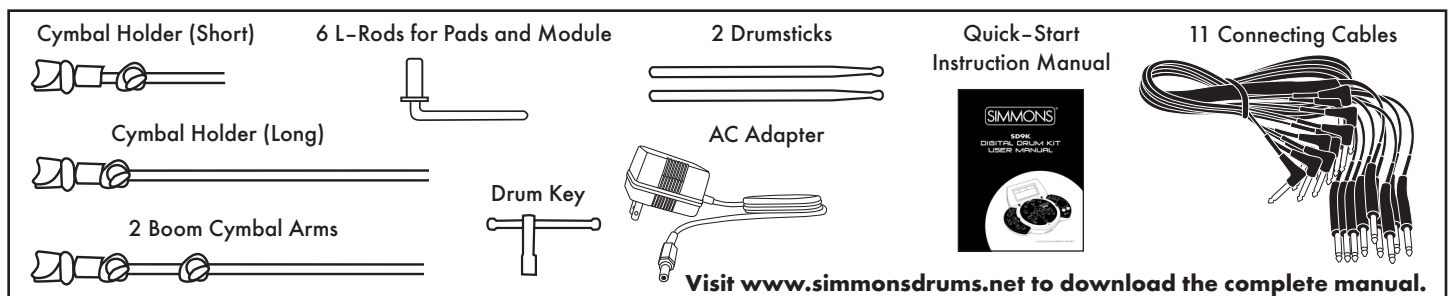
Drum Rack



Drum Module



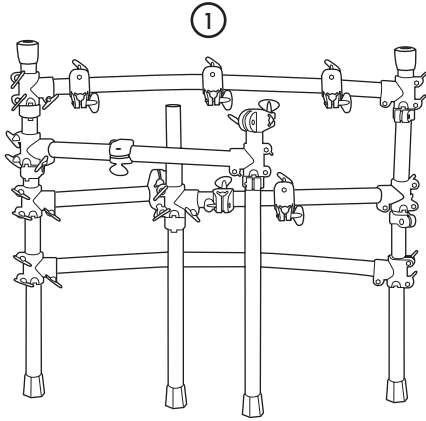
Accessories



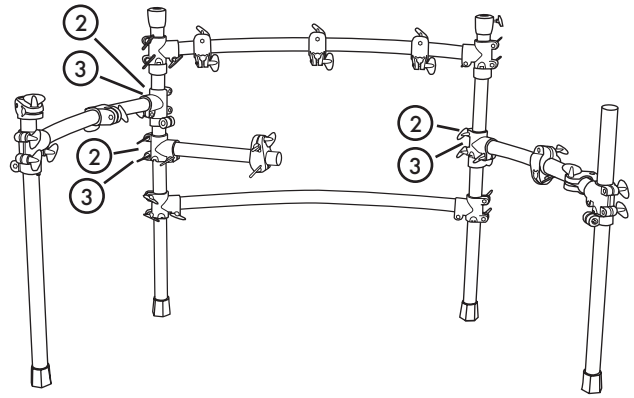
ASSEMBLY

The SD9K Drum Rack comes conveniently pre-assembled with all the clamps already set. Please follow the easy instructions below and you'll have your Drum Kit set up and ready to play in just a few minutes. Once assembled, refer to the Simmons® SD9K Quick-Start Instruction Manual for instructions on how to hook up the cabling, set up the sound module, connect to your computer, and more.

ASSEMBLE RACK



① Pull rack out of box.

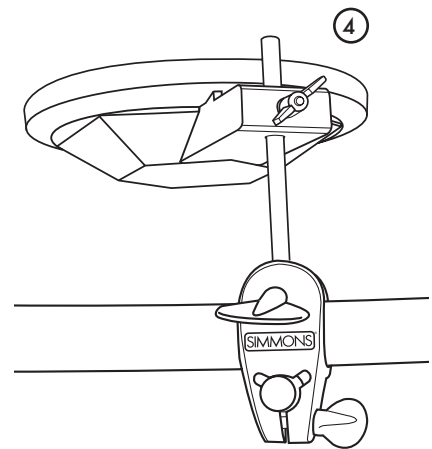
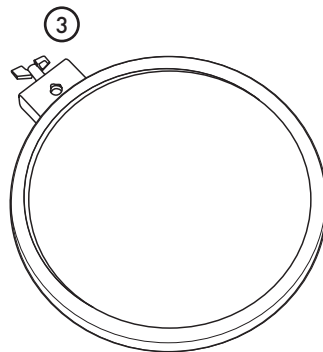
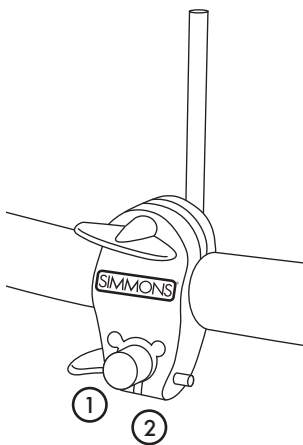


② Loosen wing nuts on side arm and snare clamps so you can rotate the clamps. Pull the side arms and the snare arm out into their playing positions.

③ Tighten wing nuts on side arm clamps.

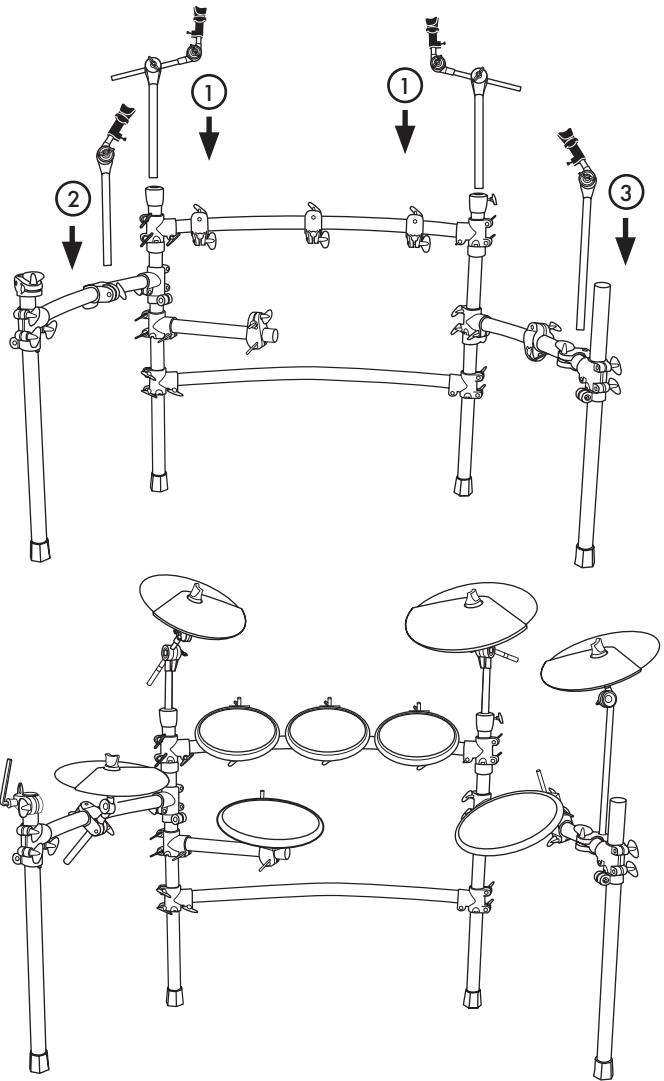
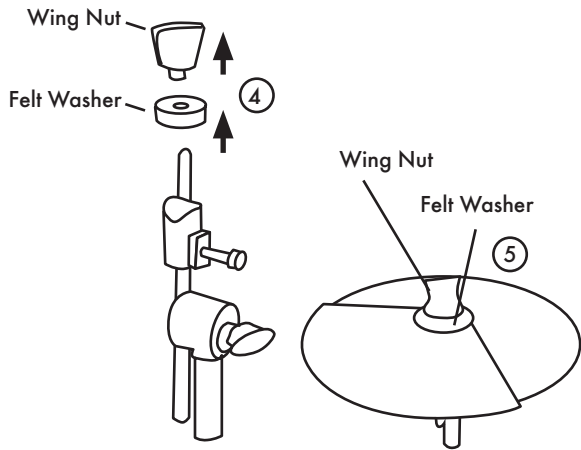
ATTACHING PADS TO RACK

- ① Loosen L-rod wing nuts on tom clamps.
- ② Insert textured plastic end of L-rod into tom clamp and tighten wing nuts.
Repeat for each tom clamp.
Note: You can attach the L-rod for the drum module at this time to the rack.
- ③ Loosen wing nut on pad.
- ④ Attach pads to L-rods and tighten wing nuts. Repeat for each pad.



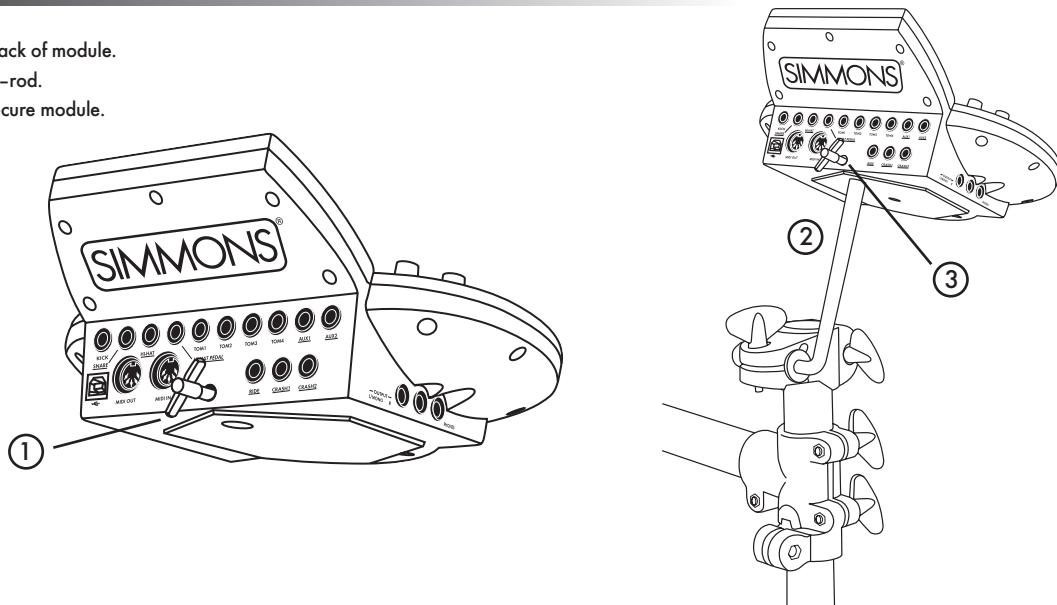
ATTACHING CYMBALS

- ① Insert each boom cymbal arm into rack down tube attachment.
- ② Insert short hi-hat arm on the left side-arm cymbal clamp.
- ③ Insert long cymbal arm on the right side-arm cymbal clamp.
- ④ Remove wing nut and felt washer from cymbal filter.
Place cymbal pad on tilter assembly.
- ⑤ Re-attach the felt washer and wing nut. Tighten wing nut.
Note: Cymbals are arranged as follows: 12" Hi-Hat on left-side short arm, 12" crash on left-side boom arm, 14" ride on right-side boom arm, 12" crash on right-side long arm.



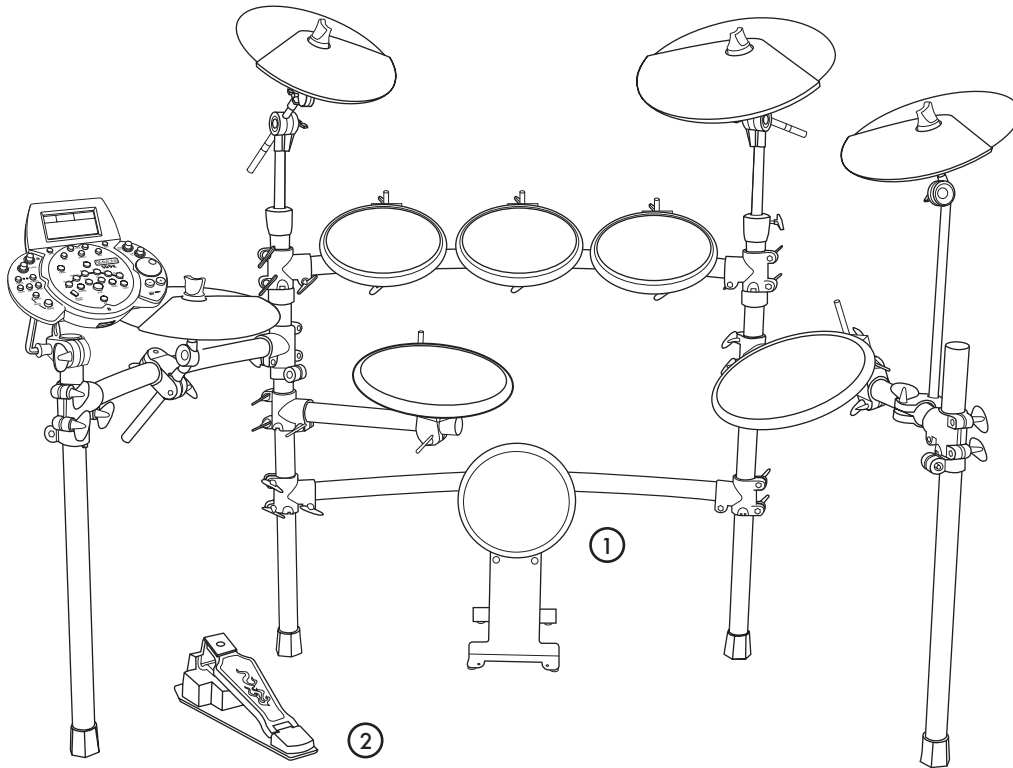
ATTACHING MODULE

- ① Loosen wing screw on back of module.
- ② Place drum module on L-rod.
- ③ Tighten wing screw to secure module.



BASS DRUM AND HI-HAT PEDAL

- ① Place the bass drum pad on the floor in the center of rack.
Attach your bass drum pedal to the bass drum pad.
- ② Place the hi-hat pedal on the floor on your left side.
- ③ Please connect the clearly marked cables from the pads to the correct inputs on the drum module, and you are ready to play!



CONGRATULATIONS

You've successfully assembled your new Simmons® SD9K Digital Drum Kit.

For connection instructions and more information on your new kit, please refer to the Quick-Start Instruction Manual or visit www.simmonsdrums.net.